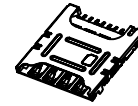
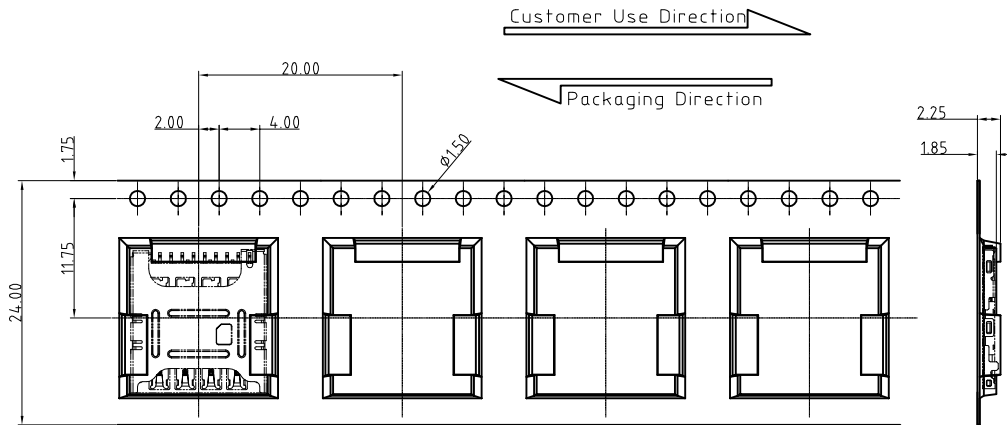
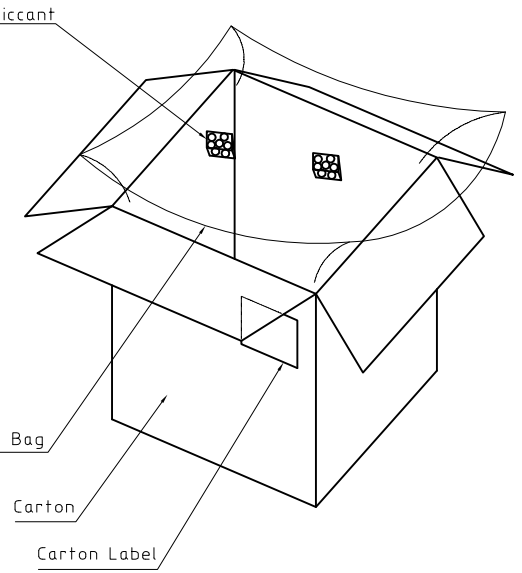
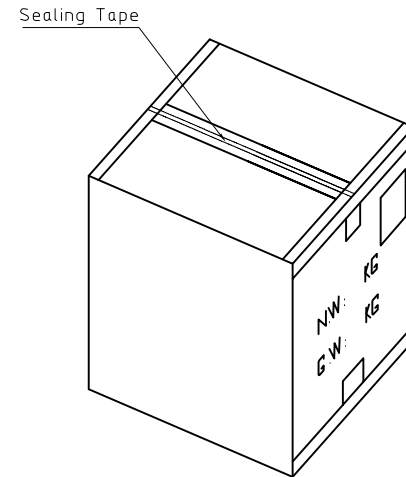
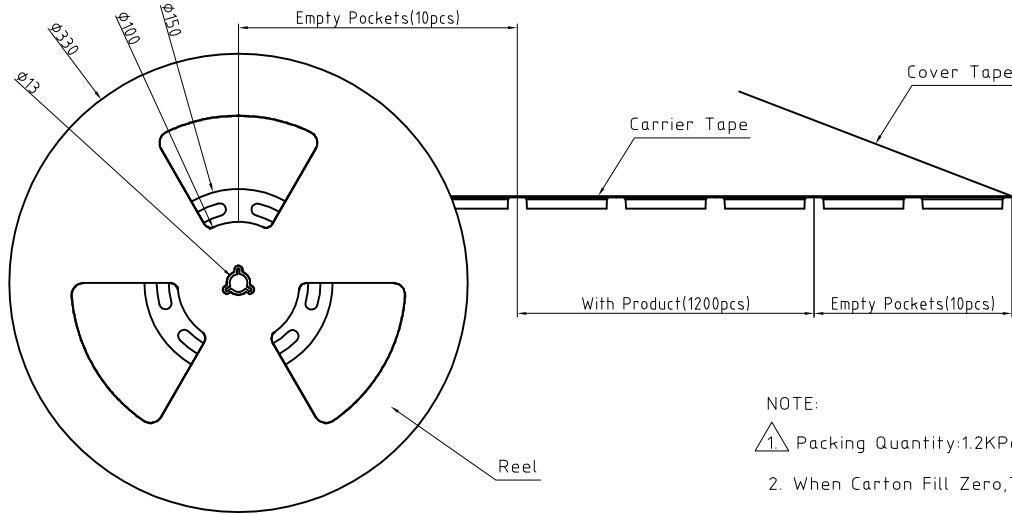
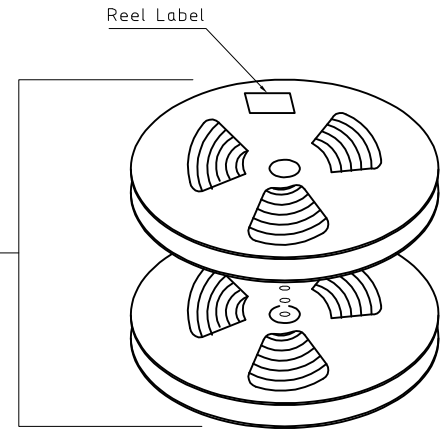


LTR	REVISION RECORD	ECN NO.	DRG	DATE
B	改善品形	RD16-0420001	King	4/20'16



Reel with Product
10 Reel



- NOTE:
1. Packing Quantity: 12Kpcs/Reel, 12Kpcs/Carton;
 2. When Carton Fill Zero, Then Fill of Polyethylene Foam;

DO NOT SCALE DRAWING

10	Sealing Tape	/	/	5	Product	12Kpcs /
9	Carton Label	1	/	4	Reel Label	10 /
8	Carton	1	340X340X300	3	Reel	10 Blue,
7	Waterproof Bag	1	/	2	Cover Tape	/ Transparent, Width=21.7mm;
6	Desiccant	2	30g/bag	1	Carrier Tape	/ Transparent, Width=24.0mm;
Item	Part Name	Q'ty	Description	Item	Part Name	Q'ty Description

Packaging Drawing

APPROVED: Jean Long

CHECKED: Jean Long

DRAWING: King Hsu

深圳市普玛斯精密组件有限公司 SHENZHEN PROMAX EXACTITUDE DISCRETENESS CO.,LTD.	
GENERAL TOLERANCES	TITLE: 1.24H Push-Pull Type Micro SIM
X: ±0.30	PART NO: MC04-11124x-7F
XX: ±0.20	DWG NO: DMC04-11124
XXX: ±0.10	REV: B
ANGEL: ±1°	UNIT: mm
SHEET: 1 / 1	SCALE: /
	SHEET: A4