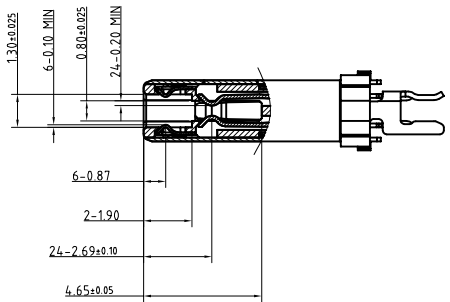
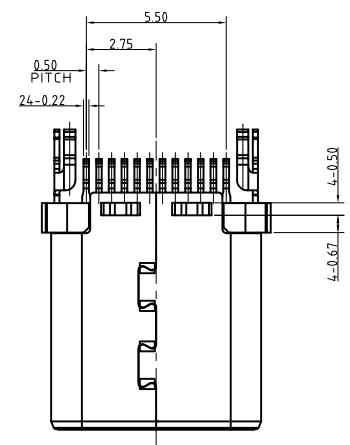
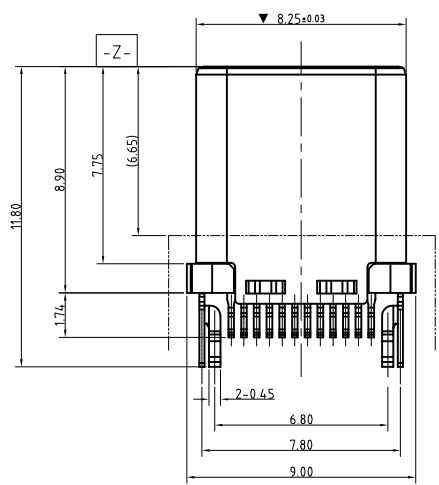
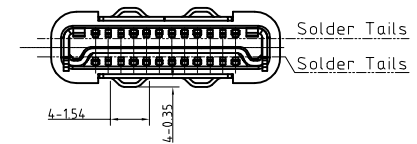
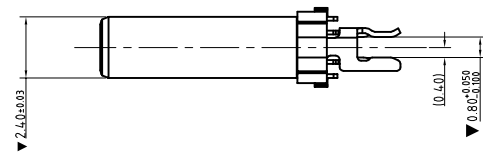
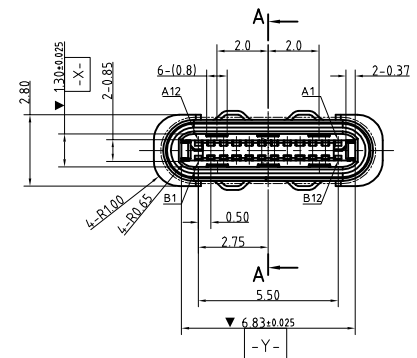
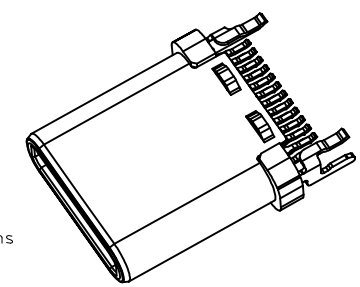


LTR	ECN NO.	DRG
A	RD13-0825001	King



SECTION A-A

- NOTE:
- Material & Finish See Table
  - 2. Specification:
    - 2-1.Current Rating: 5A max for Pin(A4,B4,A9,B9); 1.25A max for Pin(B5); 0.25A max. for Others Pins
    - 2-2.Voltage Rating: 20V max
    - 2-3.Contact Resistance: 40mOhms max
    - 2-4.Insulation Resistance: 100MOhmsΩ min./500VDC
    - 2-5.Dielectric Withstanding Voltage:100VAC/1minute
    - 2-6.Operating Temperature:-25°C to+85°C
    - 2-7.Mating Force: 20N Max; Withdrawal Force:8N Min; Durability: 5000Cycles
  - 3. Critical Dimensions Marked "▼" Should Check By QC.
  - 4. Please Contact GOSTAR Sales Representative to Verify Product Details.



A12	B1	GND
A11	B2	SSRXp2
A10	B3	SSRXn2
A9	B4	VBUS
A8	B5	RFU1
A7	B6	Dn1
A6	B7	Dp1
A5	B8	CC1
A4	B9	VBUS
A3	B10	SSTXn1
A2	B11	SSTXp1
A1	B12	GND
PIN		DEFINE

6	Shell	Stainless Steel	No Plated
5	Body	Thermoplastics	Black,UL94 V-0
4	Lock	Stainless Steel	Gold Flash on Solder Tails,Nickel Under Plated Overall.
3	Housing	Thermoplastics	Black,UL94 V-0
2	Metal	Stainless Steel	No Plated
1	Terminal	Copper Alloy	Gold Flash on Solder Tails and Contact Area; Nickel Under Plated Overall.
Item	Part Name	Material	Description

CUSTOMER INSPECTION DRAWING		深圳市普玛斯精密组件有限公司 SHENZHEN PROMAX EXACTITUDE DISCRETENESS CO.,LTD			
APPROVED:	Jean Long	GENERAL TOLERANCES	TITLE:	USB3.0 C Type Plug	
CHECKED:	Jean Long	.X:	±0.30	PART NO:	UF05-30080-8H
		.XX:	±0.20	DWG NO:	DUF05-30080
DRAWING:	King Hsu	.XXX:	±0.10	REV:	A
		ANGEL:	±1°	UNIT:	mm
		SHEET:	1 / 2	SCALE:	/
				SHEET:	A4

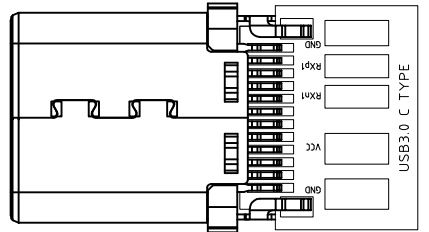
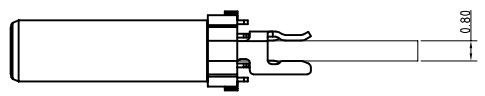
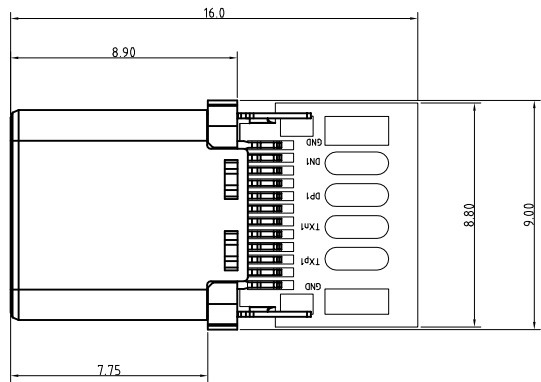
DO NOT SCALE DRAWING

DO NOT SCALE DRAWING

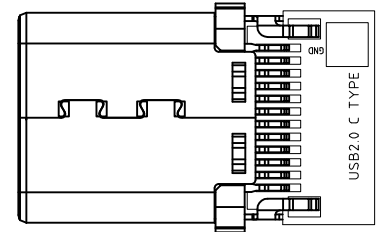
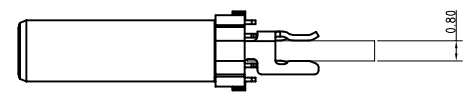
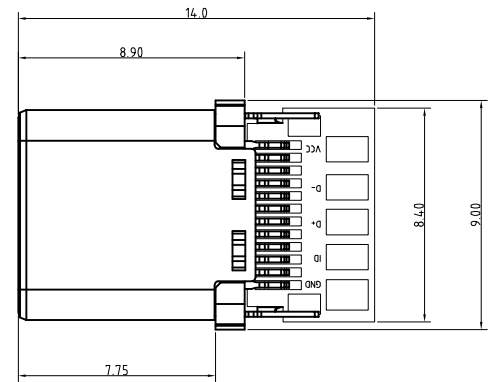
1 2 3 4 5 6 7 8 9 10 11

A  
B  
C  
D  
E

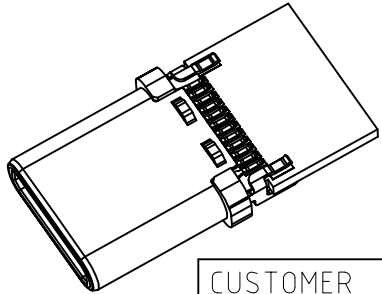
A  
B  
C  
D  
E



Part No: UF05-33080-8H



Part No: UF05-32080-8H



A12	B1	GND	Ground Return
A11	B2	SSRXp2	Positive Half of Third Superspeed RX Differential Pair
A10	B3	SSRXn2	Negative Half of Third Superspeed RX Differential Pair
A9	B4	VBUS	Bus Power
A8	B5	RFU1	Reserved for Future Use(RFU)
A7	B6	Dn1	Negative Half of The USB2.0 Differential Pair-Position1
A6	B7	Dp1	Positive Half of The USB2.0 Differential Pair-Position1
A5	B8	CC1	Configuration Channel
A4	B9	VBUS	Bus Power
A3	B10	SSTXn1	Negative Half of Second Superspeed TX Differential Pair
A2	B11	SSTXp1	Positive Half of Second Superspeed TX Differential Pair
A1	B12	GND	Ground Return
	PIN	NAME	DESCRIPTION

CUSTOMER INSPECTION DRAWING		深圳市普玛斯精密组件有限公司 SHENZHEN PROMAX EXACTITUDE DISCRETENESS CO.,LTD			
APPROVED:	Jean Long	GENERAL TOLERANCES		TITLE: USB3.0 C Type Plug	
CHECKED:	Jean Long	.X:	±0.30	PART NO: UF05-30080-8H	
		.XX:	±0.20	DWG NO: DUF05-30080	
DRAWING:	King Hsu	.XXX:	±0.10	REV: A	
		ANGEL:	±1°	UNIT: mm	SCALE:
		SHEET:	2 / 2		