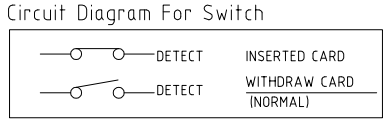
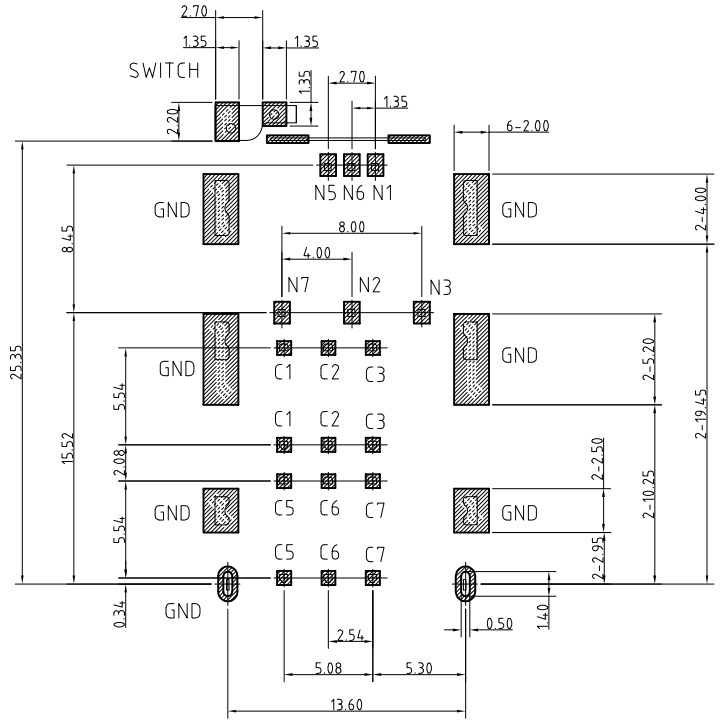
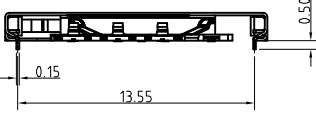
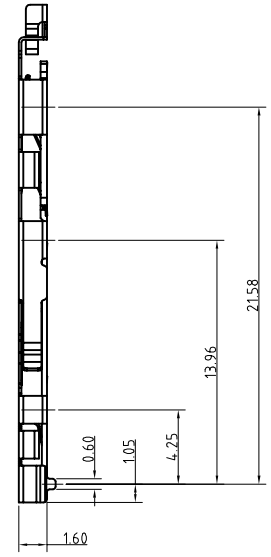
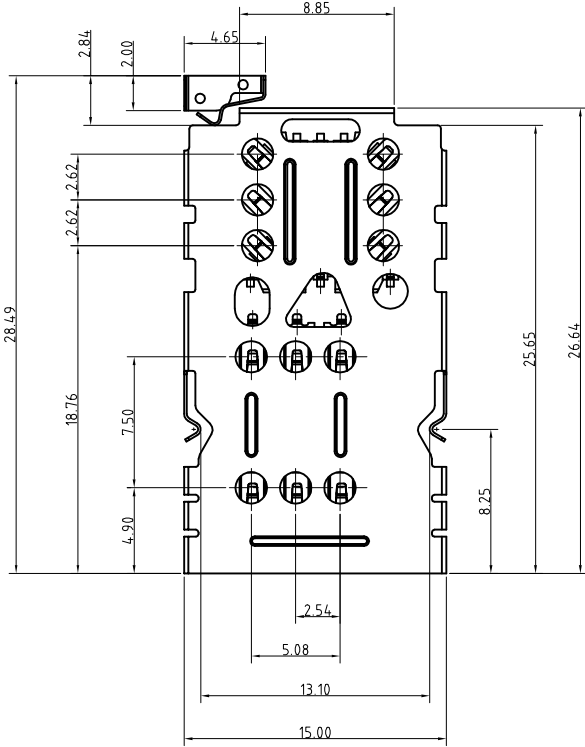
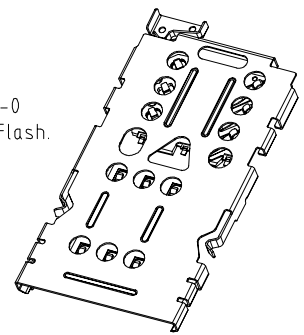


LTR	REVISION RECORD	ECN NO.	DRG	DATE
A	First Issue	RD13-0825001	King	8/25'13



RECOMMENDED PCB PATTERN LAYOUT(TOP VIEW)  
TOLERANCE: ±0.05

- NOTE:
- Material & Finish:  
Housing:High Temperature Thermoplastic,Color Black UL 94V-0  
Contacts:Phosphor Bronze>Contact Area & Solder Tail Gold Flash.  
Shell:Stainless Steel, Gold Flash
  - Specification:  
2-1.Current Rating :0.5mA max.  
2-2.Contact Resistance:100mOhms max  
2-3.Insulation Resistance:1000M0hmsΩ min./500VDC  
2-4.Dielectric Withstanding Voltage:500VAC/1minute  
2-5.Operating Temperature:-25°C to+85°C  
2-6.Mating Cycles:2,000 Insertions
  - Product Compliant to RoHS Directive 2002/95/EC and ELV 2000/53/EC
  - Please Contact GOSTAR Sales Representative to Verify Product Details.



Shell	Stainless Steel	Ni Plated Over All, Contact Area ,Solder Tail Gold Flash.			
Switch	Stainless Steel	Ni Plated Over All, Contact Area And Solder Tail Gold Flash			
Housing	Thermoplastic	Color Black UL 94V-0			
Contacts	Phosphor Bronze	Ni Plated Over All, Contact Area ,Solder Tail Gold Flash.			
Part Name	Material	Description			
CUSTOMER INSPECTION DRAWING		深圳市普玛斯精密组件有限公司 SHENZHEN PROMAX EXACTITUDE DISCRETENESS CO.,LTD .			
APPROVED:	Jean Long	GENERAL TOLERANCES	TITLE:	160H Dual SIM Card Conn.	
CHECKED:	Jean Long	.X: ±0.30	PART NO:	MC13-61160-7F	
DRAWING:	King Hsu	.XX: ±0.20	DWG NO:	DMC13-61160	
		.XXX: ±0.10	REV: A	UNIT: mm	SCALE: /
		ANGEL: ±1°	SHEET: 1 / 1	SHEET: A4	

DO NOT SCALE DRAWING